

IDM Doors Limited - Direct Glazed Sidelight

Customer:
Site Address:

Date:
Required: (Front, Back etc)

Site Measure: (Actual frame size including sill)

Handing: (viewed outside looking in)

Door Style: (F03, F04 etc)

Door finish: (woodgrain or smooth)

Colour: (Black, White, Red, Blue, Green or Mahogany - internal face white only)

Glass Pattern: (Cotswold/Minster etc)

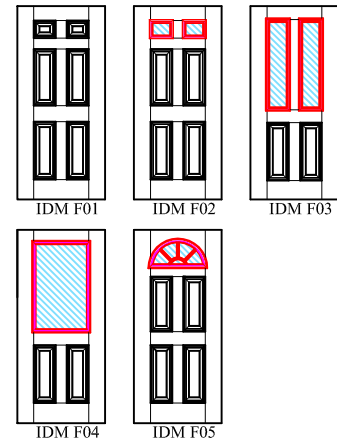
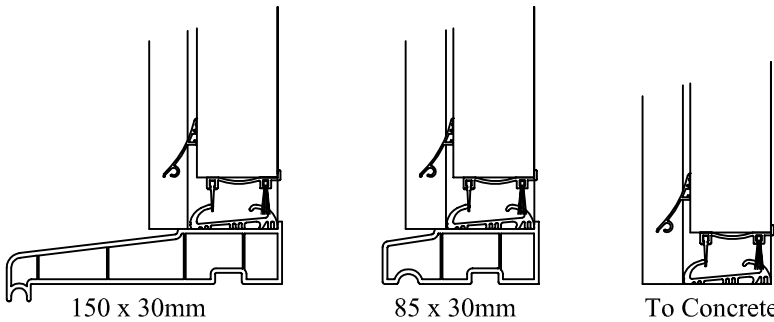
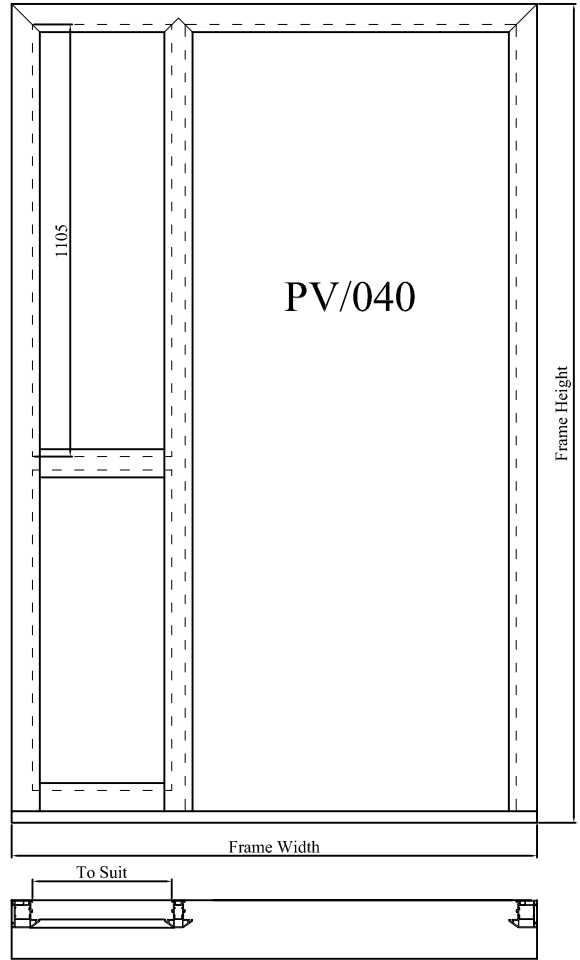
Hardware Colour: (Brass or Chrome)

Items Required: (MPL as standard)

Pvc Frame colour: (white or mahogany)

Sill detail: (150mm, 85mm, 180mm)

Additional details (Fanlight, windows, Sidelights etc)



Measured By:

Date:

D		Title: Site Survey Sheet
C		
B		Drawn: D. Smith
A		Drawing No: IDM/SUR/4
		Date: 03.04.08



Rock Wharf, Mill Parade, Newport,
Gwent. NP20 2UL
Tel: 01633 843098 Fax: 01633 259079

The information on this drawing is private & confidential & is the property of IDM Doors Limited & must not be copied or published without the written permission of the company & must not be used in any way detrimental to their interests.

Issue: