

# IDM Doors - Single Frame

Customer:  
Site Address:

Date:  
Required: (Front, Back etc)

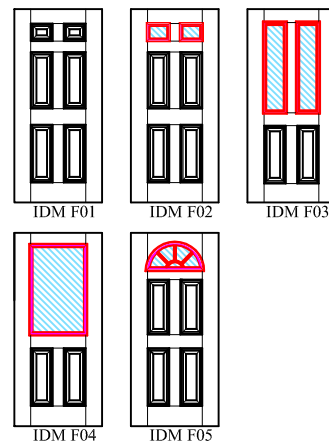
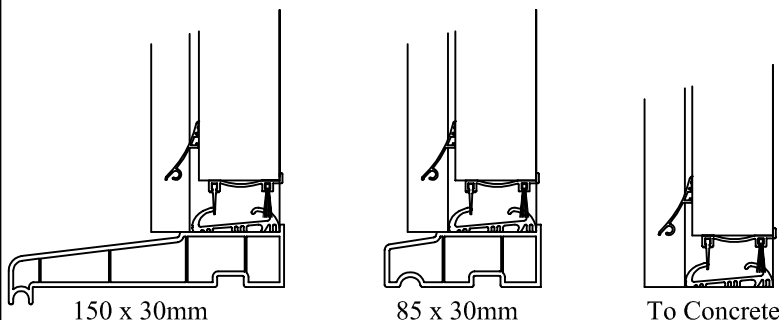
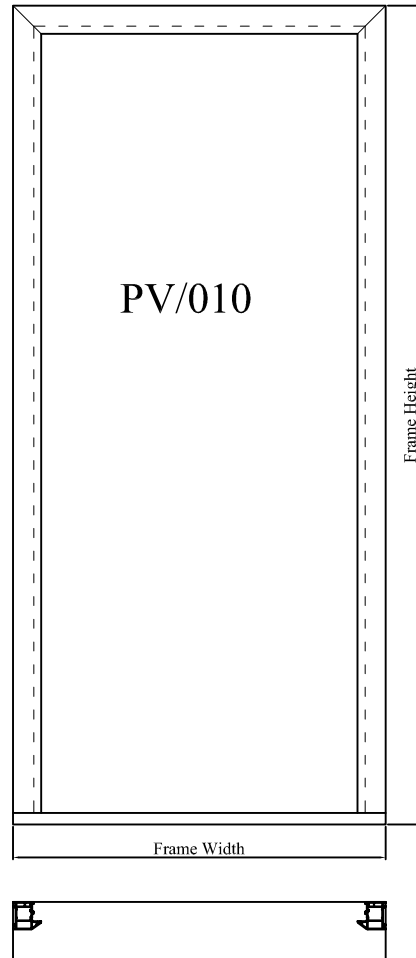
Site Measure: (Actual frame size including sill)  
 Handing: (viewed outside looking in)  
 Door Style: (F03, F04 etc)  
 Door finish: (woodgrain or smooth)  
 Colour: (Black, White, Red, Blue, Green or Mahogany - internal face white only)  
 Glass Pattern: (Cotswold/Minster etc)

Hardware Colour: (Brass or Chrome)  
 Items Required: (MPL as standard)

Pvc Frame colour: (white or mahogany)

Sill detail: (150mm, 85mm, 180mm)

Additional details (Fanlight, windows, Sidelights etc)



Measured By:

Date:

D		Title: <b>Site Survey Sheet</b>	
C			
B		Drawn: D. Smith	Date: 03.04.08
A		Drawing No: IDM/SUR1/1	



Rock Wharf, Mill Parade, Newport,  
 Gwent. NP20 2UL  
 Tel: 01633 843098 Fax: 01633 259079

The information on this drawing is private & confidential & is the property of IDM Doors Limited & must not be copied or published without the written permission of the company & must not be used in any way detrimental to their interests.

Issue: